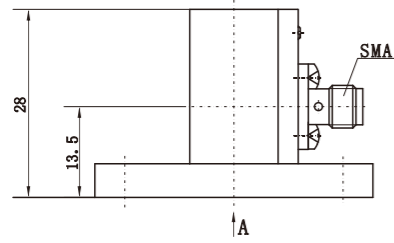
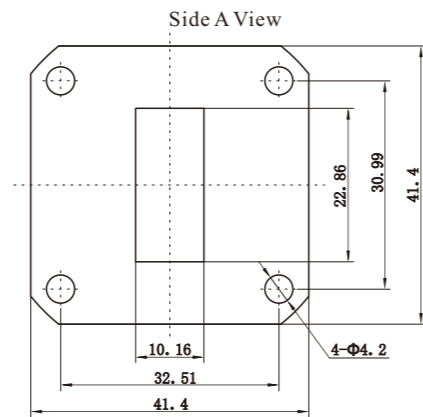


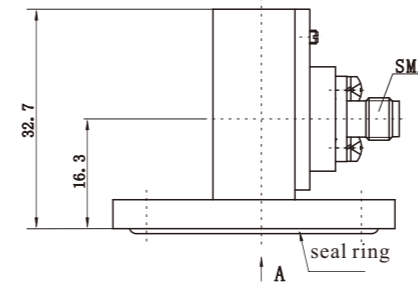
SMA/BJ100-KF
(SMA female to WR90)



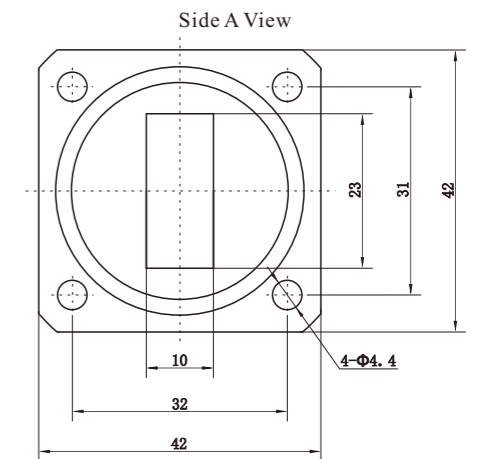
Bandwidth	Frequency Range	VSWR
All bandwidth	8.2-12.5	≤1.25
20% bandwidth	Customized	≤1.15



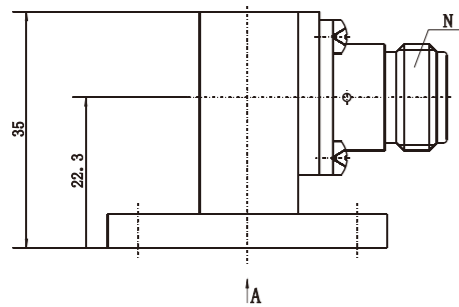
SMA/BJ100A-KF
(SMA female to WR90)



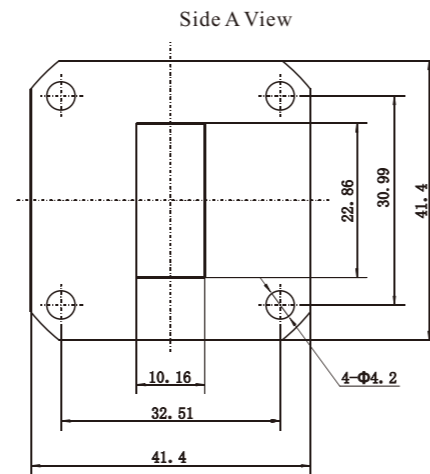
Bandwidth	Frequency Range	VSWR
All bandwidth	8.15-12.5	≤1.25
20% bandwidth	Customized	≤1.15



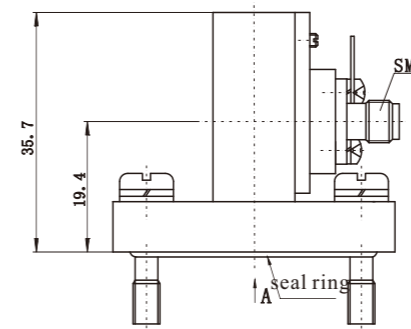
N/BJ100-KF
(N female to WR90)



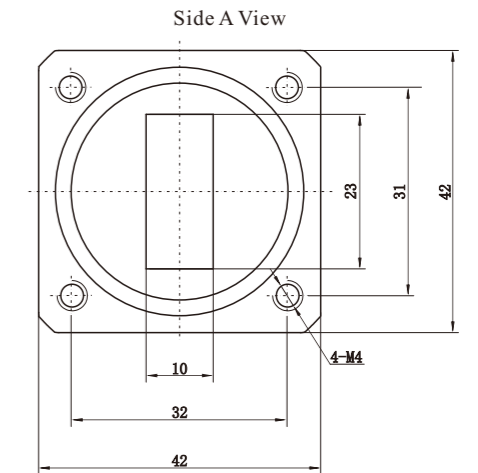
Bandwidth	Frequency Range	VSWR
All bandwidth	8.2-12.5	≤1.25
20% bandwidth	Customized	≤1.15



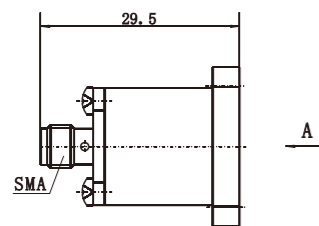
SMA/BJ100A-KF1
(SMA female to WR90)



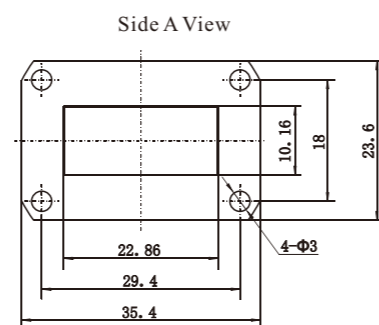
Bandwidth	Frequency Range	VSWR
All bandwidth	8.15-12.42	≤1.25
20% bandwidth	Customized	≤1.15



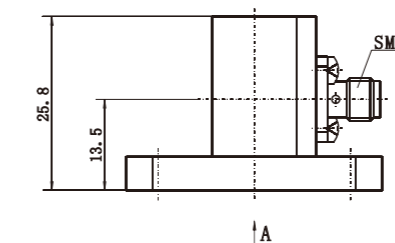
SMA/BJ100-KF1B
(SMA female to WR90)



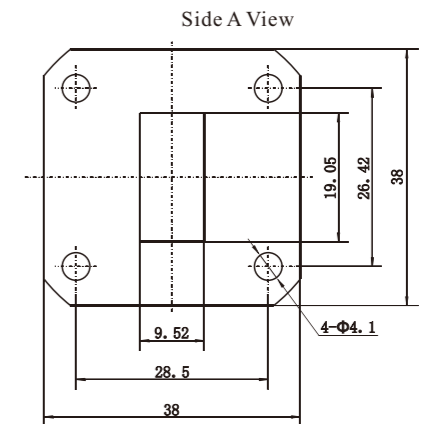
Bandwidth	Frequency Range	VSWR
All bandwidth	8.2-12.5	≤1.3
20% bandwidth	Customized	≤1.15



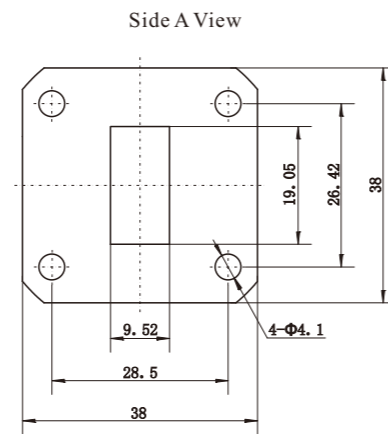
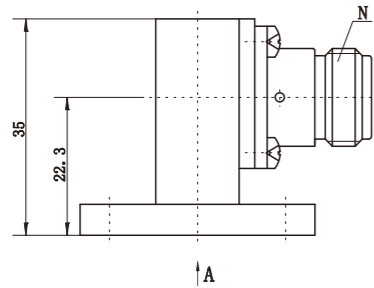
SMA/BJ120-KF
(SMA female to WR75)



Bandwidth	Frequency Range	VSWR
All bandwidth	9.84-15.0	≤1.25
20% bandwidth	Customized	≤1.15

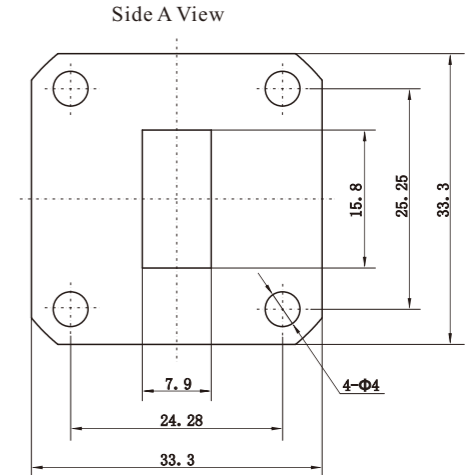
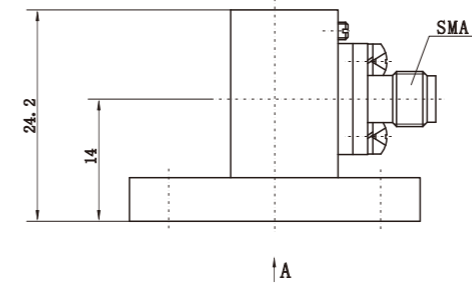


N/BJ120-KF
(N female to WR75)



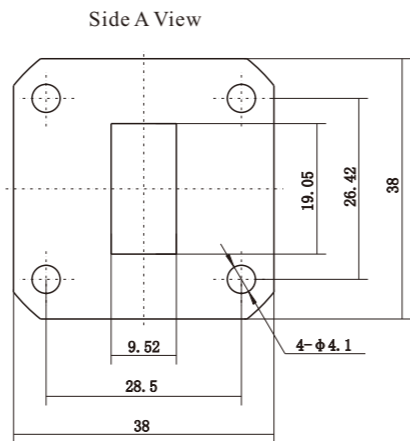
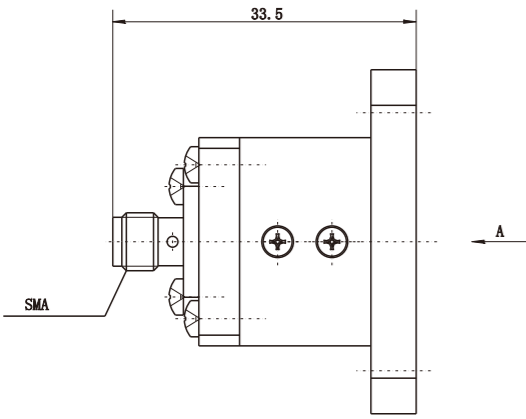
Bandwidth	Frequency Range	VSWR
All bandwidth	9.84-15.0	≤1.25
20% bandwidth	Customized	≤1.15

SMA/BJ140-KF
(SMA female to WR62)



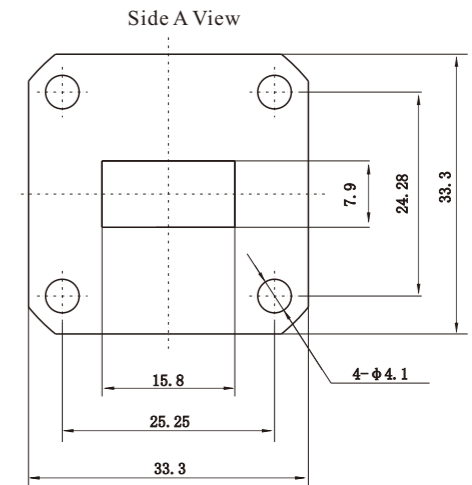
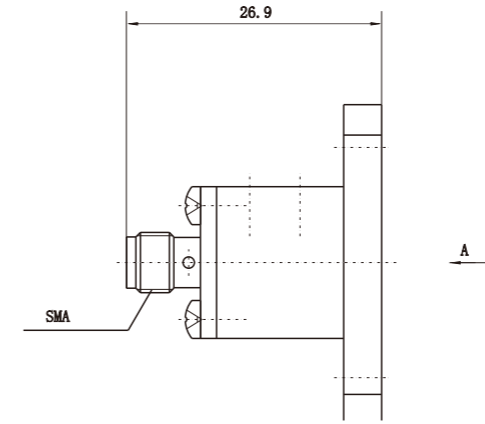
Bandwidth	Frequency Range	VSWR
All bandwidth	11.9-18.0	≤1.25
20% bandwidth	Customized	≤1.15

SMA/BJ120-KF1 (SMA female to WR75)



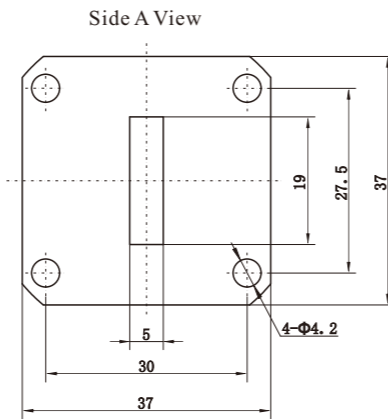
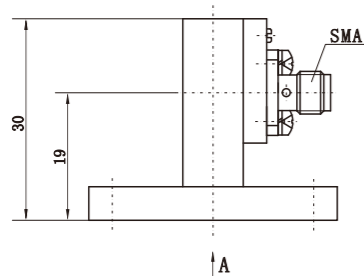
Bandwidth	Frequency Range	VSWR
All bandwidth	9.84-15.0	≤1.3
20% bandwidth	Customized	≤1.15

SMA/BJ140-KF1 (SMA female to WR62)



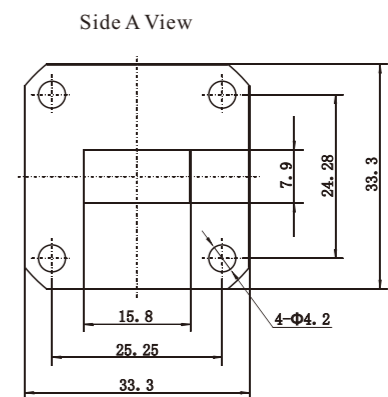
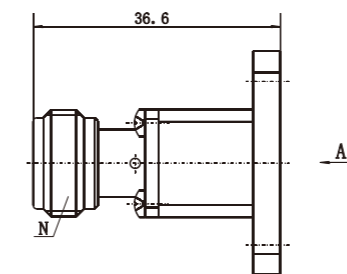
Bandwidth	Frequency Range	VSWR
All bandwidth	11.9-18.0	≤1.3
20% bandwidth	Customized	≤1.15

SMA/BB120B-KF
(SMA female to BB120B)



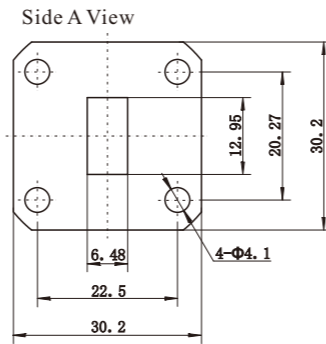
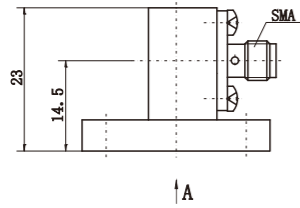
Bandwidth	Frequency Range	VSWR
All bandwidth	9.87-15.04	≤1.25
20% bandwidth	Customized	≤1.15

N/BJ140-KF1
(N female to WR62)



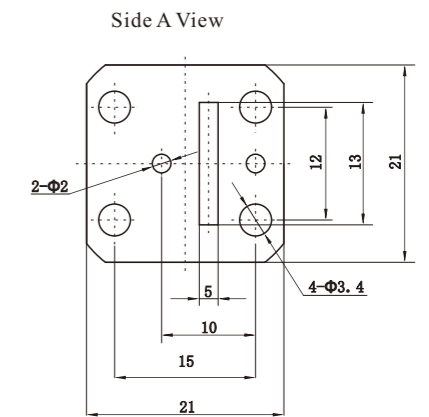
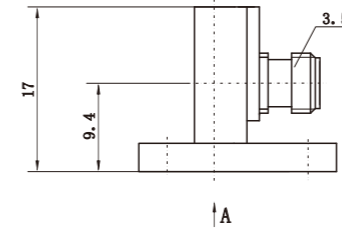
Bandwidth	Frequency Range	VSWR
All bandwidth	11.9-18.0	≤1.3
20% bandwidth	Customized	≤1.15

SMA/BJ180-KF
(SMA female to WR51)



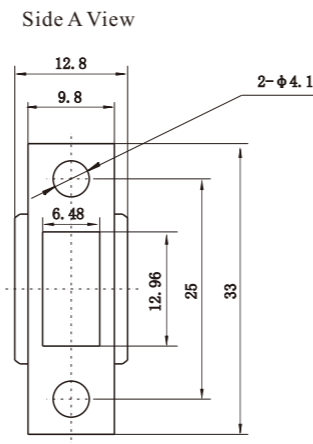
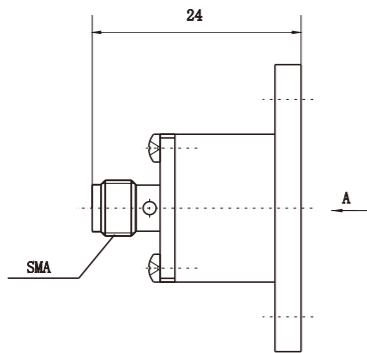
Bandwidth	Frequency Range	VSWR
All bandwidth	14.5-22.0	≤1.25
20% bandwidth	Customized	≤1.15

3.5/BB180-KF
(3.5mm female to BB180)



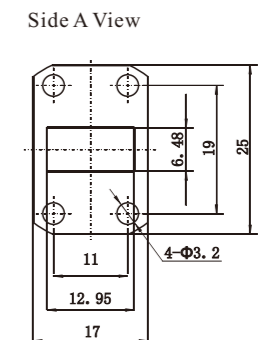
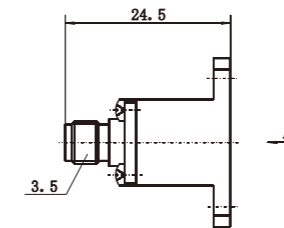
Bandwidth	Frequency Range	VSWR
All bandwidth	14.42-21.98	≤1.25
20% bandwidth	Customized	≤1.15

SMA/BJ180-KF1A
(SMA female to WR51)



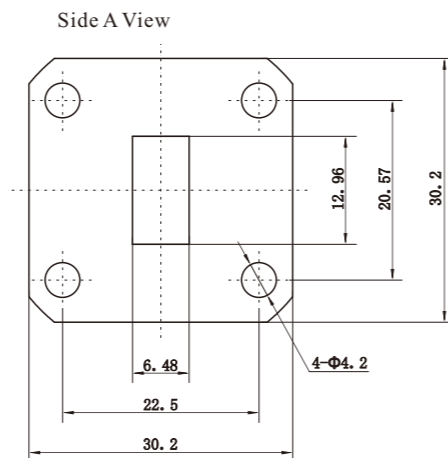
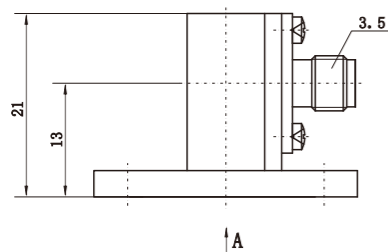
Bandwidth	Frequency Range	VSWR
All bandwidth	14.5-22.0	≤1.3
20% bandwidth	Customized	≤1.15

3.5/BJ180-KF1A
(3.5mm female to WR51)



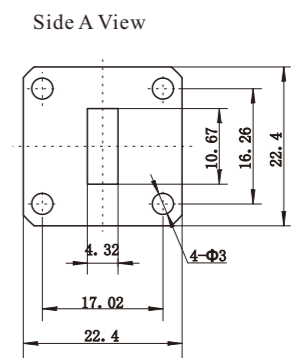
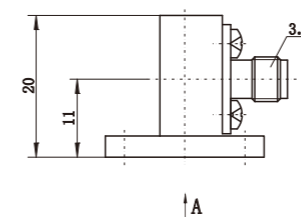
Bandwidth	Frequency Range	VSWR
All bandwidth	14.5-22.0	≤1.3
20% bandwidth	Customized	≤1.15

3.5/BJ180-KF
(3.5mm female to WR51)



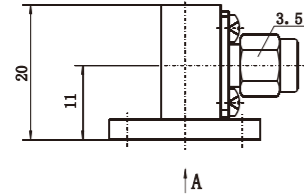
Bandwidth	Frequency Range	VSWR
All bandwidth	14.5-22.0	≤1.25
20% bandwidth	Customized	≤1.15

3.5/BJ220-KF
(3.5mm female to WR42)

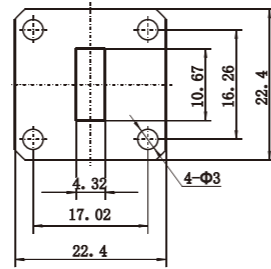


Bandwidth	Frequency Range	VSWR
All bandwidth	17.6-26.7	≤1.25
20% bandwidth	Customized	≤1.15

3.5/BJ220-JF
(3.5mm male to WR42)

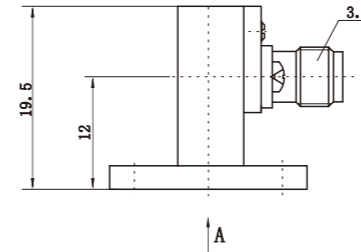


Side A View

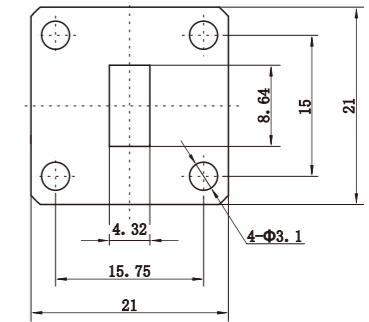


Bandwidth	Frequency Range	VSWR
All bandwidth	17.6-26.7	≤1.25
20% bandwidth	Customized	≤1.15

3.5/BJ260-KF
(3.5mm female to WR34)

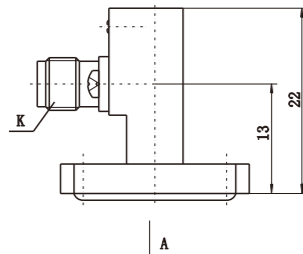


Side A View

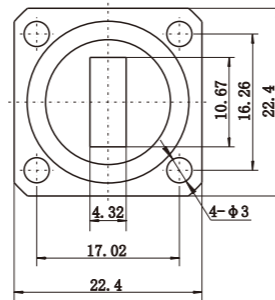


Bandwidth	Frequency Range	VSWR
All bandwidth	21.7-33.0	≤1.25
20% bandwidth	Customized	≤1.15

K/BJ220-KF2
(2.92mm female to WR42)

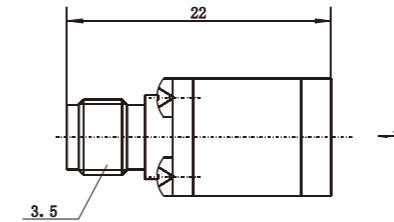


Side A View

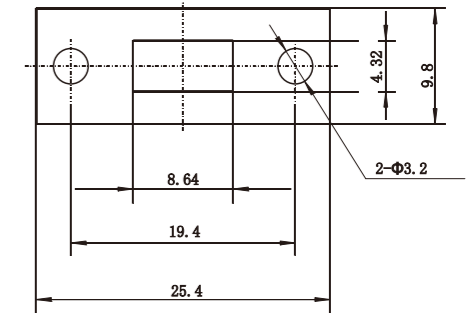


Bandwidth	Frequency Range	VSWR
All bandwidth	17.6-26.7	≤1.25
20% bandwidth	Customized	≤1.15

3.5/BJ260-KF1A
(3.5mm female to WR34)

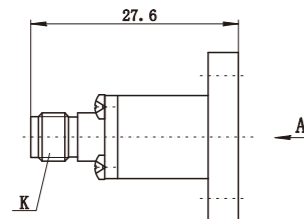


Side A View

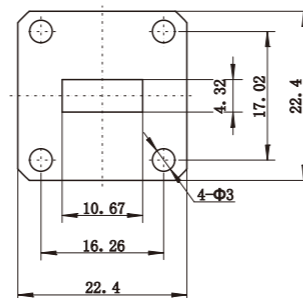


Bandwidth	Frequency Range	VSWR
All bandwidth	21.7-33.0	≤1.3
20% bandwidth	Customized	≤1.15

K/BJ220-KF1
(2.92mm female to WR42)

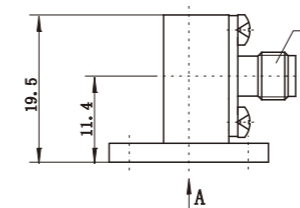


Side A View

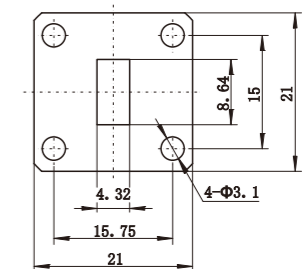


Bandwidth	Frequency Range	VSWR
All bandwidth	17.6-26.7	≤1.3
20% bandwidth	Customized	≤1.15

K/BJ260-KF
(2.92mm female to WR34)

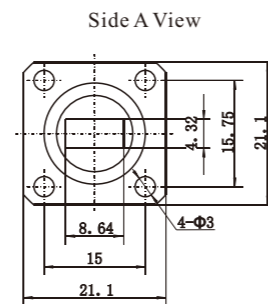
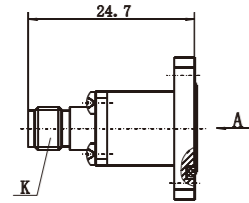


Side A View



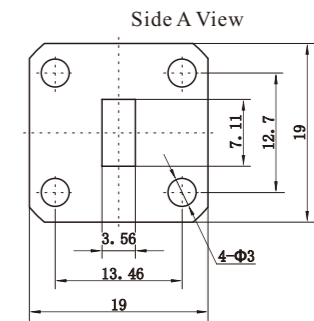
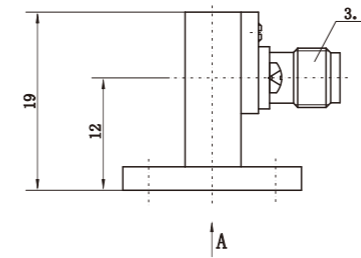
Bandwidth	Frequency Range	VSWR
All bandwidth	21.7-33.0	≤1.25
20% bandwidth	Customized	≤1.15

K/BJ260-KF1 (2.92mm female to WR34)



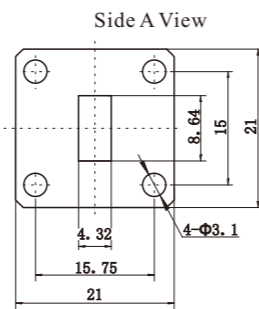
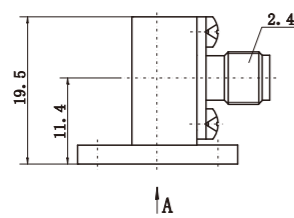
Bandwidth	Frequency Range	VSWR
All bandwidth	21.7-33.0	≤1.3
20% bandwidth	Customized	≤1.15

3.5/BJ320-KF (3.5mm female to WR28)



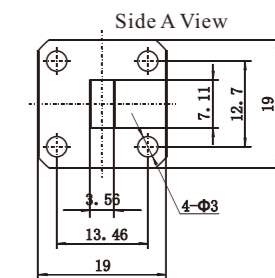
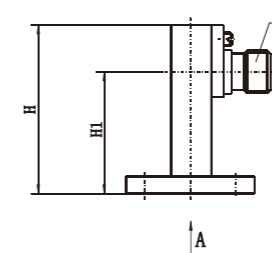
Bandwidth	Frequency Range	VSWR
All bandwidth	26.4-38.0	≤1.25
20% bandwidth	Customized	≤1.15

2.4/BJ260-KF (2.4mm female to WR34)



Bandwidth	Frequency Range	VSWR
All bandwidth	21.7-33.0	≤1.25
20% bandwidth	Customized	≤1.15

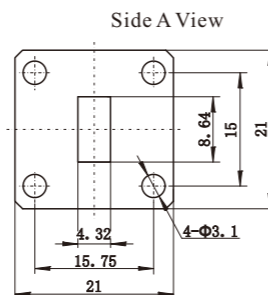
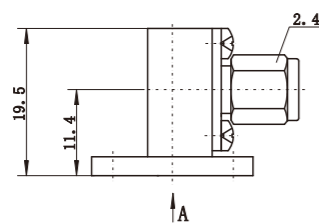
K/BJ320-KF等 (2.92mm female to WR28)



Bandwidth	Frequency Range	VSWR
All bandwidth	26.4-40.0	≤1.25
20% bandwidth	Customized	≤1.15

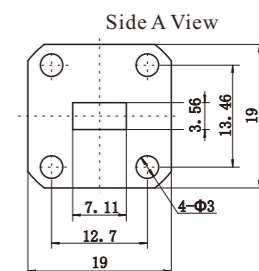
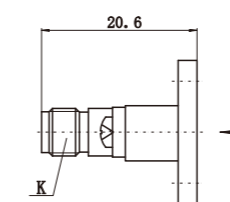
型号	H1	H	备注
K/BJ320-KF	12	19	
K/BJ320-KF2	9	16	
K/BJ320-KF3	28	35	
K/BJ320-KF5	18	25	

2.4/BJ260-JF (2.4mm male to WR34)



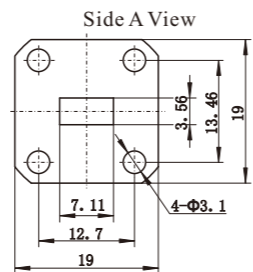
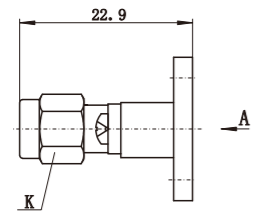
Bandwidth	Frequency Range	VSWR
All bandwidth	21.7-33.0	≤1.25
20% bandwidth	Customized	≤1.15

K/BJ320-KF1 (2.92mm female to WR28)



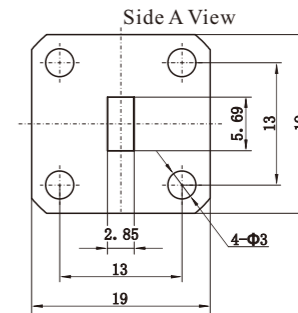
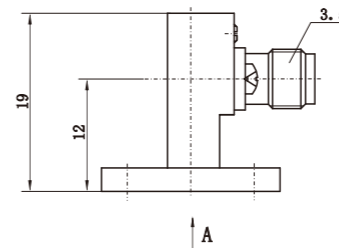
Bandwidth	Frequency Range	VSWR
All bandwidth	26.4-40.0	≤1.3
20% bandwidth	Customized	≤1.15

K/BJ320-JF1
(2.92mm male to WR28)



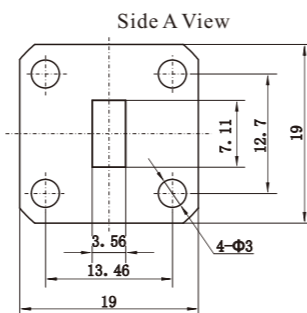
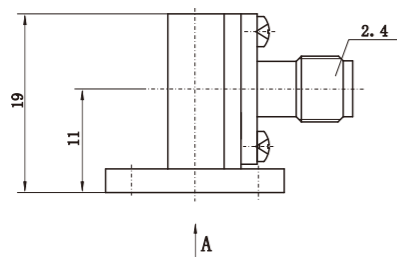
Bandwidth	Frequency Range	VSWR
All bandwidth	26.4-40.0	≤1.3
20% bandwidth	Customized	≤1.15

3.5/BJ400-KF
(3.5mm female to WR22)



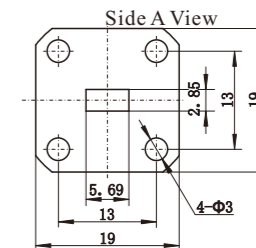
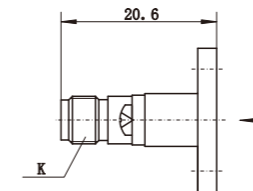
Bandwidth	Frequency Range	VSWR
All bandwidth	32.9-37.0	≤1.25
20% bandwidth	Customized	≤1.15

2.4/BJ320-KF
(2.4mm female to WR28)



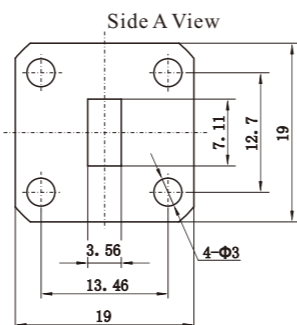
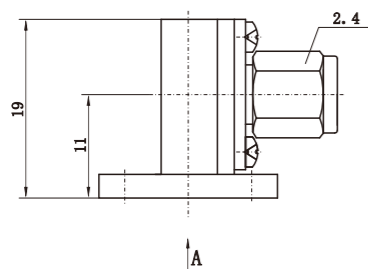
Bandwidth	Frequency Range	VSWR
All bandwidth	26.4-40.0	≤1.25
20% bandwidth	Customized	≤1.15

K/BJ400-KF1
(2.92mm female to WR22)



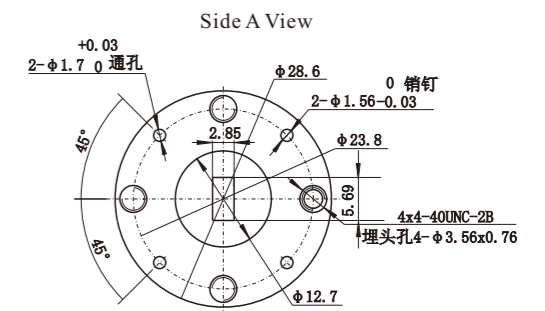
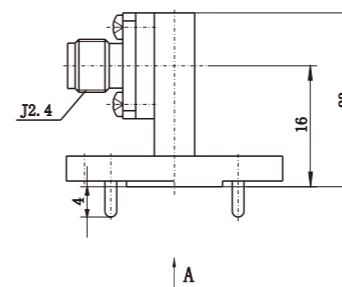
Bandwidth	Frequency Range	VSWR
All bandwidth	32.9-40.0	≤1.3
20% bandwidth	Customized	≤1.15

2.4/BJ320-JF
(2.4mm male to WR28)



Bandwidth	Frequency Range	VSWR
All bandwidth	26.4-40.0	≤1.25
20% bandwidth	Customized	≤1.15

J2.4/BJ400-KF (标准法兰)
(2.4mm female to WR22)



Bandwidth	Frequency Range	VSWR
All bandwidth	32.9-50.1	≤1.25
20% bandwidth	Customized	≤1.15